

EVAKUATSIOONIVALGUSTI

DP-LED Li-FePO4 (ISETESTIV)

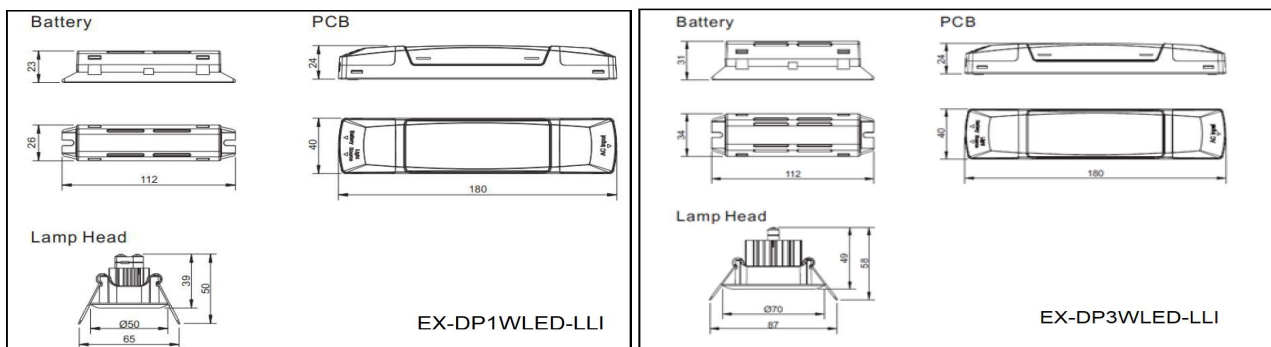


DP-WLLIK
(OPEN AREA)



DP-WLLIX
(CORRIDOR)

MÕÕDUD



TEHNILISED PARAMEETRID

Model No	Optical Parameters						Structural Parameters			
	Specification of Battery	Light Source	Emergency Time	Emergency Mode	Power	Light Source Luminous Flux	Material	Product Size (mm)	IP Rating	Certification
EX-DP1WLED-LLI	Li-FePo4 3.2V 1500mAh	SMD LED	3 hours	Non-Maintained	1W	107lm 119lm	Polycarbonate body and Lamp Head	Battery: 112x26x23mm PCB: 180x40x24mm Lamp Ø50, h39mm Installation hole Ø45	IP 20	CE
EX-DP3WLED-LLI	Li-FePo4 3.2V 3000mAh	SMD LED	3 hours	Non-Maintained	3W	185lm 205lm	Polycarbonate body and Lamp Head	Battery: 112x34x31mm PCB: 180x40x24mm Lamp Ø70, h49mm Installation hole Ø65	IP 20	CE

Lisainformatsiooni saamiseks palun pöörduda oma kliendihalduri poole.



IP 20

