

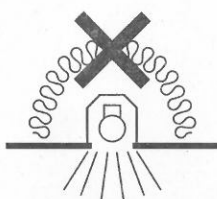
LED downlight Installation instructions

■ Caution:

- 1、 The power supply must be cut off when installation, maintenance or lamp replacement; make sure the positive and negative electrode connect with main power(AC200-240V) correct.
- 2、 Make sure there is at least 75mm ventilation space around the fitting. Any going against the fire control regulations is prohibited.
- 3、 Do not install this LED downlight in damage ceiling.
- 4、 The LED downlight should not be installed in the ceiling which is less than 10mm depth of ceiling.
- 5、 Warm prompt: Do not paint any coating on the surface of product, such as paint.

■ Installation instructions:

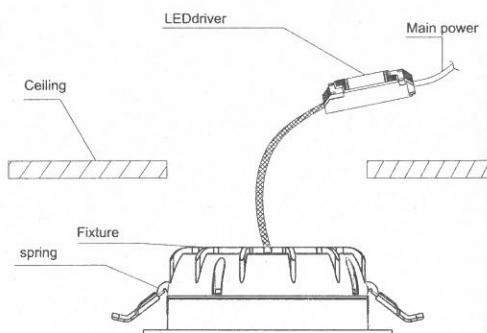
- 1、 Cut a suitable hole in the ceiling (as the chart), the hole size will show on the product tags.
- 2、 Connect the driver's wire L(live) and N(nature) to the main power.
- 3、 Press the side spring and push the fixture fitting into the ceiling hole, And make sure the fitting is stable and firmly. (Need to be adjusted well to illuminate angle)
- 4、 After proper installation is confirmed, switch on the main power.



The lamp can not be covered by thermal insulation materials!

WARNING:

After connected with power, if the lamp doesn't light on, please check if the installation/wires connection were correct or not. The LED Source of this lamp is irreplaceable; when it runs out of life time, please replace the whole lamp directly!



Model	Cut-out
DL21-9CS20-S422W-27/30/35/40/50	φ 100mm
DL21-12CS20-S422W-27/30/35/40/50	φ 100mm
DL21-15CS20-S422W-27/30/35/40/50	φ 100mm
DL21-10CS36-S395W-27/30/35/40/50	φ 150mm
DL21-15CS36-S395W-27/30/35/40/50	φ 150mm
DL21-20CS36-S395W-27/30/35/40/50	φ 150mm
DL21-25CS65-S396W-27/30/35/40/50	φ 200mm
DL21-30CS65-S396W-27/30/35/40/50	φ 200mm
DL21-35CS65-S396W-27/30/35/40/50	φ 200mm

■ wiring diagram

