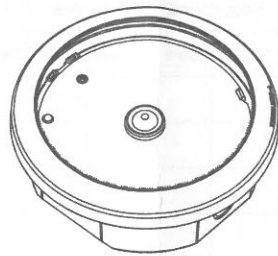


# EMERGENCY DOWN LIGHT

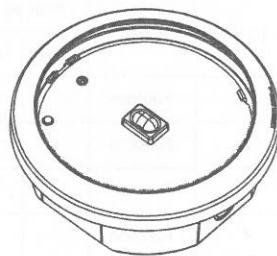
Model: DP-8033LCS NM  
 DP-8033LXS NM  
 DP-8033LS NM



DP-8033L NM



DP-8033LC NM

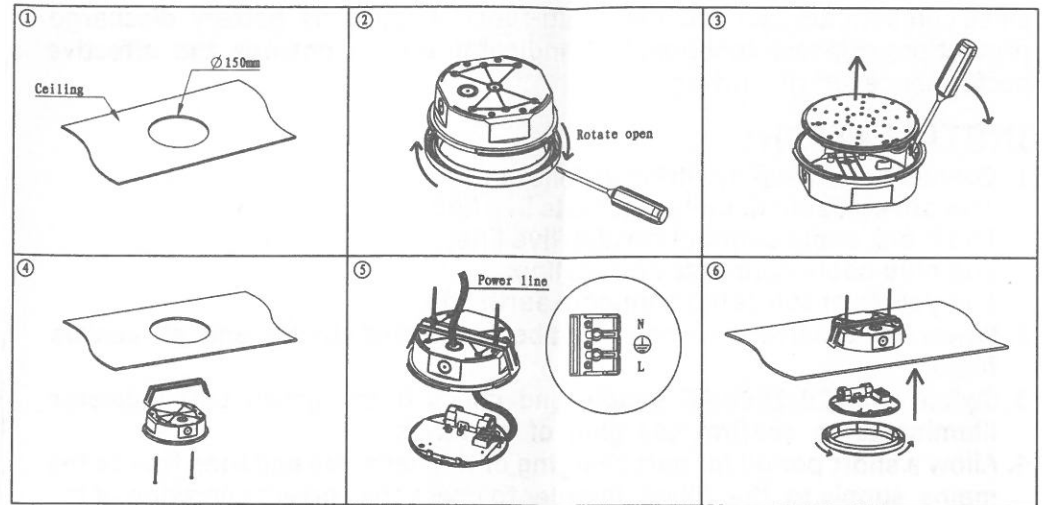


DP-8033LX NM

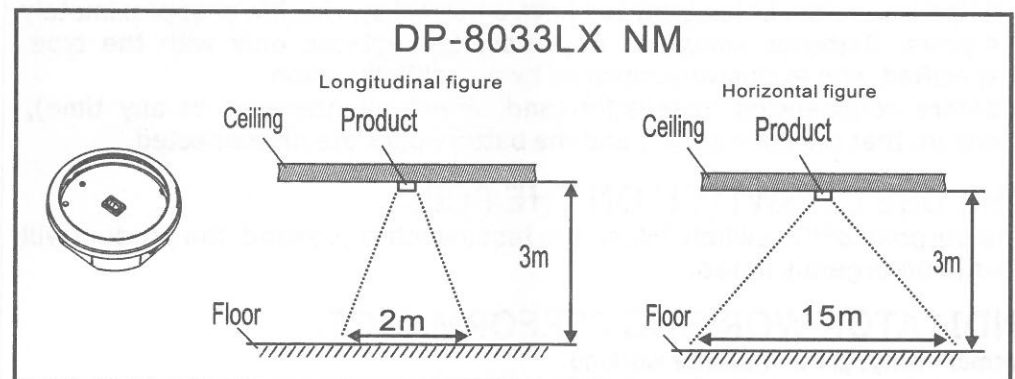
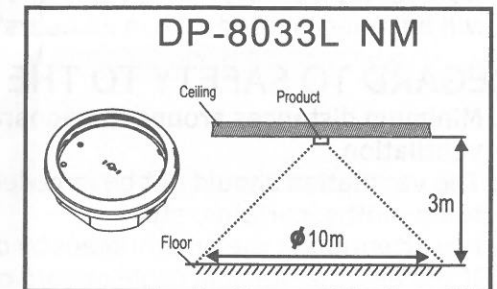
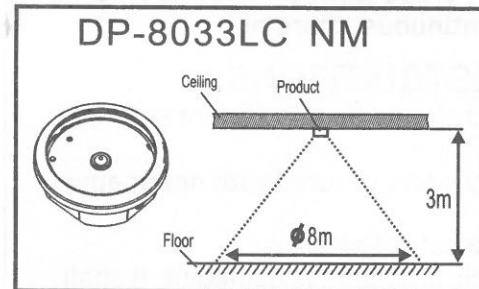
## SPECIFICATION:

1. Operating environmental temperature: 0 ~ 40°C.
2. Operating relative humidity: less than 90%.
3. Rated voltage: 220-240V 50/60Hz.
4. Rated power: 2.3W.
5. Conversion time: 1 second.
6. LED: SMT 3W LED
7. Lumens: 175lm
8. Emergency duration: more than 180 minutes.
9. Battery installed or replaced: 3.7V 2.6Ah Lithium battery.
10. Fuse installed or replaced: 1A 250V/3.15A 250V.
11. Recharge time: 24 hours.

## INSTALLATION



## OUTPUT LIGHT FIGURE:



CE IP65

RoHS



## PREFACE:

We develop and use the long-life LEDs and the extraordinary circuit in this design. It's high efficient and energy saving with small power consumption. Also, this design is environment-friendly. The circuit is controlled by IC with small components that includes multi-function, such as battery discharge protection, self-test function, LED indicator etc. To ensures the effective performance of the fitting.

## INSTALLATION:

1. Connect mains supply wiring as follows:  
The brown cable usually connects live line;  
The black cable connects switch live line;  
The blue cable connects neutral line;  
The yellow green cable connects earth line.
2. Power line & battery wires should be connected strictly, and all screws fixed.
3. Switch on 220-240V AC supply and check if the green LED indicator illuminates to confirm charging of batteries.
4. Allow a short period for part charging of the batteries and then isolate the mains supply to the fitting in order to check the correct operation of the fitting in emergency mode. In the first use, after a continuous charge for 24 hours, a mains failure should be simulated to ensure that the fitting work for its specified time (only at a safe & appropriate time). The fitting will be fully charged with in 24 hours' continuous charging.

## REGARD TO SAFETY TO THE INSTRUCTIONS:

1. Minimum distances around the apparatus should be ensured for sufficient ventilation.
2. The ventilation should not be impeded by being covered with newspapers, table-cloths, curtains, etc.
3. Pay attention to the environment by disposal of batteries.
4. If the external flexible cable or cord of this luminaire is damaged, it shall be exclusively replace by a qualified person in order to avoid a hazard.
5. Batteries are the Li-Ion type and have a normal service life of approximately 4 years. Batteries should in any case, be replaced only with the type specified, and exclusively replaced by a qualified person.
6. Before commencing installation (and before maintenance at any time), ensure that the main supply and the battery pack are disconnected.

## THE USE OF SWITCH ON THE PCB:

The purpose of the switch: When the test switch is pressed, the product will go into emergency mode.

## INDICATOR WORKING PERFORMANCE:

Normal fitting: green indicator working.  
Battery failure: green indicator turn off.

## AUTO-TEST INSTRUCTION:

After the emergency light is installed:

1. an automatic test will conduct once monthly for emergency lighting for 5 minutes. The light will return to normal operation after 5 minutes.
2. an automatic test will conduct once yearly for emergency lighting for 3 hours. The light will return to normal operation after 3 hours.
3. If the emergency duration is less than the specified time, the red indicator on the light will flash.

## ROUTINE TEST RECORD

MONTH	TEST	First Year		Second Year		Third Year		Fourth Year		Fifth Year	
		Signed	Date	Signed	Date	Signed	Date	Signed	Date	Signed	Date
1	Function										
2	Function										
3	Function										
4	Function										
5	Function										
6	Function										
7	Function										
8	Function										
9	Function										
10	Function										
11	Function										
12	Function										

### Eventually, you may want to replace this fitting:

When your fitting and or battery pack come to the end of their life or you choose to update or upgrade the fitting by replacing it, please do not dispose of it with your normal household waste, please recycle where facilities exist. When you need to dispose of this fitting, check with your retailer of local authority for suitable options. New regulations will encourage the recycling of waste from Electrical and Electronic Equipment (European "WEEE Directive" effective August 2005).

