



SEZ industrial sockets, plugs and connectors have been designed to connect electrical devices to low voltage electric energy in civil engineering, electric assembly sector, engineering industry, etc. Sockets and plugs are available in the following ranges:

- nominal current: 16 A, 32 A, 63 A, 125 A
- nominal voltage: 110V, 230 V, 400 V, 500 V
- nominal frequency: 50 Hz and 60 Hz
- degree of protection: IP 44, IP 54, IP 67
- number of poles: 3P (2P + PE), 4P (3P + PE), 5P (3P + N + PE)
- operating temperature: - 25 °C to + 55 °C

Our sockets, plugs and connectors are manufactured under the European standards EN 60309 – 1, 2 which comply with an international recommendation IEC 60309 – 1, 2.

Identification colour  
 Nominal current  
 Nominal voltage  
 Frequency  
 Degree of protection  
 No. of pole  
 Earth hour position  
 Connection system  
 Flexible conductors

red  
 32 A  
 400 V  
 50/60 Hz  
 IP44  
 3P + N + PE  
 6 h  
 screws  
 2,5 - 6 mm<sup>2</sup>

Operating temperature

Glow wire test (GWT)

Thermo-pressure with ball

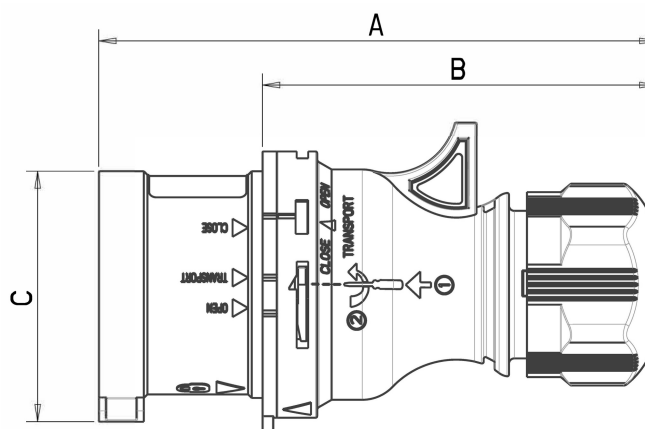
Insulation resistance

-25 °C to +55 °C  
 850 °C (active parts)  
 650 °C (passive parts)  
 125 °C (active parts)  
 80 °C (passive parts)  
 > 10 MΩ

Surface treatment contacts

passivated brass

## Dimensional drawing



Amp	Poles	Ord. No.	(mm)			
			A	B	C	R
32	5	100017	150	105	70	11,0 - 20

R - sealing range

## Technical symbols



screws



125 °C (active parts)  
 80 °C (passive parts)



-25 °C to +55 °C

**GWT**

850 °C (active parts)  
 650 °C (passive parts)

**IP**

IP44

## Standards/Approvals

**CE** IEC 60309-1, - 2  
 STN EN 60309-1, - 2

**SEZ DK a.s., M. R. Štefánika 1831/46**  
**026 19 Dolný Kubín, Slovensko**  
 Tel.: +421 43 5809 226; +421 908 948 580

e-mail: [sales@sez.sk](mailto:sales@sez.sk)  
**[www.sez.sk](http://www.sez.sk)**  
 Last update 2023/05

Data, measures, designs and pictures are shown as informative purposes only and could be changed without prior notice.